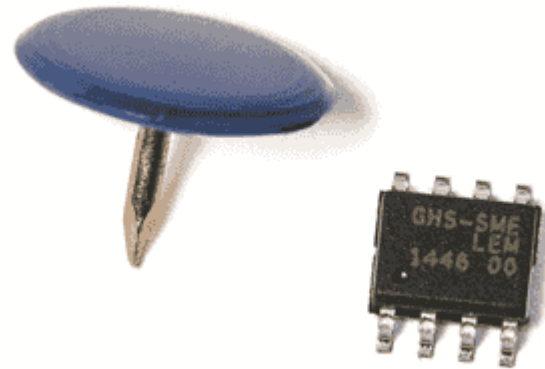


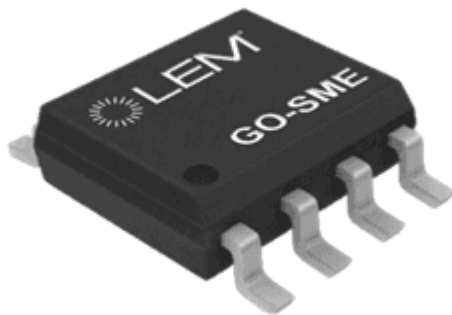
# GO GO is LEM's first Integrated primary product with advanced features

Product presentation and features



# GO is LEM's first Integrated primary product with advanced features (better response time and OCD)

## Product description

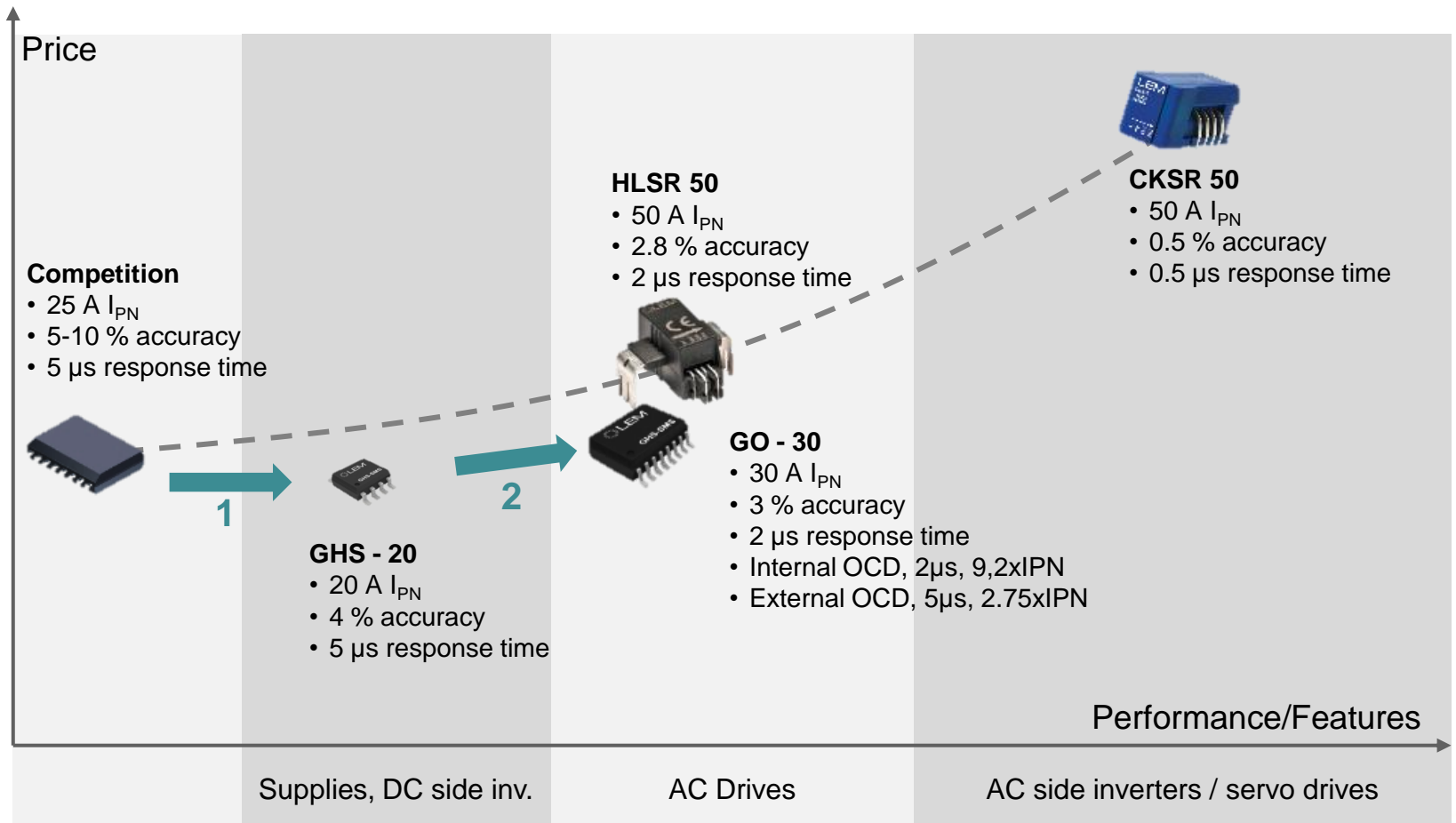


## Features

- 10-30 A  $I_{PN}$ , measuring range up to 75A (20 A  $I_{PN}$  max for SOIC8)
- Better than 1 % accuracy @ 25 °C
- Operating temperature from -40 °C to 125 °C
- Differential measurement: Very robust against external fields
- 2  $\mu$ s response time
- 3 kV RMS isolation
- Double OCD (SOIC16)

# GO is bringing the speed and OCDs required for AC drives

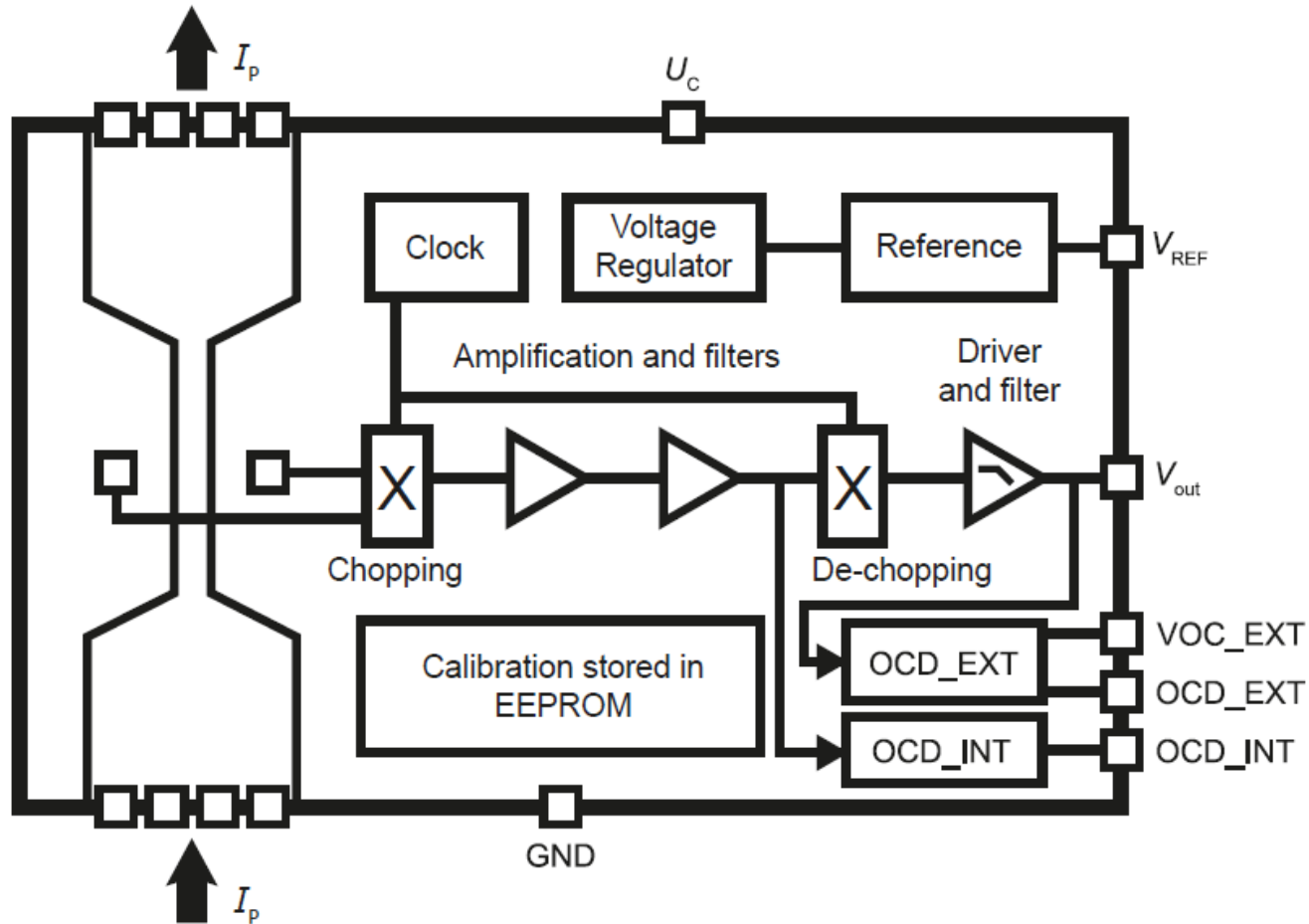
Sensor positioning for target applications (price vs. performance)



Note: Accuracy @ 105 °C

GO is based on LEM's state-of-the-art Hall ASIC. It therefore offers the ideal tradeoffs between accuracy and speed. It also benefits from the latest error correction techniques

GO Bloc diagram



# LEM provides some application example in order to guide our customers on where GO can be used

## Isolation example

- GO SME:

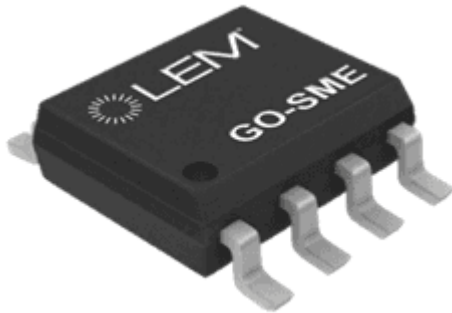
Application example	-	-	300 V <sub>RMS</sub> CAT II PD2	Basic insulation according to IEC 61800-5-1, 62109-1, UL60950-1
---------------------	---	---	------------------------------------	---

- GO SMS:

Application example	-	-	300 V <sub>RMS</sub> CAT III PD2	Basic insulation according to IEC 61800-5-1, IEC 62109-1, IEC/UL60950-1
Application example	-	-	515 V <sub>RMS</sub> /728 V <sub>peak-peak</sub> CAT II PD2	Basic insulation according to IEC 61800-5-1, IEC 62109-1, IEC/UL60950-1

# GO SME family (SOIC8 package)

Product models availability



	$V_{OUT}$ FIXED	$V_{OUT}$ RATIOMETRIC
5 V	GO 10 SME GO 20 SME	GO 6 SME (Q4-17) GO 12 SME (Q4-17) GO 20 SME (Q4-17)
3.3 V	GO 10 SME (Q3-17) GO 20 SME (Q3-17)	GO 8 SME (Q4-17) GO 16 SME (Q4-17)

Samples with 25 °C trimming available upon request. Lead time 4 weeks.

# GO SMS family (SOIC16 package)

Product models availability

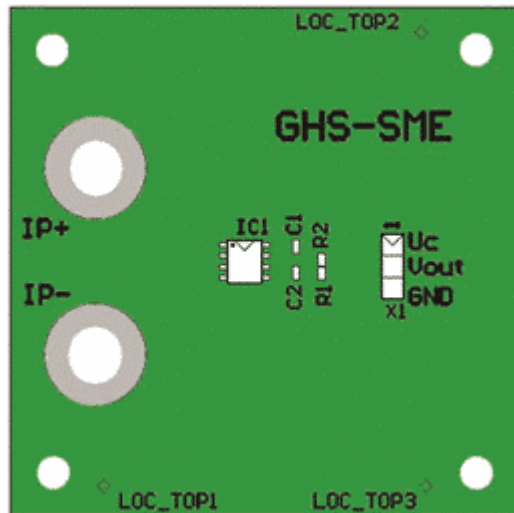


	$V_{OUT}$ FIXED	$V_{OUT}$ RATIOMETRIC
5 V	GO 10 SMS GO 20 SMS GO 30 SMS	NA
3.3 V	GO 10 SMS (Q3-17) GO 20 SMS (Q3-17) GO 30 SMS (Q3-17)	GO 4 SMS (Q4-17) GO 8 SMS (Q4-17)

Samples with 25 °C trimming available upon request. Lead time 4 weeks.

The demo board integrates 5 samples of GO xx-SME or GO xx-SMS and one PCBA, to evaluate GO performances.

Demo board



1 PCBA demo board + 5 GO samples

### Release

- GO Samples **10, 20 and 30 A**
- Availability **Yes**

### Prices

- Contact your Sales Manager



# Thank you