

LEM CURRENT TRANSDUCERS HT *** SRUD/SRID

Split core Modules (TRUE RMS Outputs)

Definition - Principle

The LEM type HT *** SRUD/SRID are open loop transducers ("split core") employing the Hall effect to measure DC and complex waveform AC current in a non-invasive manner. Galvanic isolation is provided between the primary (measured) and the analogue output (control) signal.

Electrical data		
Nominal I_N Current	Reference	
200 A rms	HT 200-SRUD	HT 200-SRID
300 A rms	HT 300-SRUD	HT 300-SRID
400 A rms	HT 400-SRUD	HT 400-SRID
500 A rms	HT 500-SRUD	HT 500-SRID
1000 A rms	HT1000-SRUD	HT1000-SRID
Output (DC)	0 to +5V	4 to 20mA
Power Supply	$\pm 15V \pm 5\%$	
Overload Capacity	25,000 Ampere Turns	
Overall Accuracy	$\pm 1\%$ of I_N at 23°C	
Dielectric Strength	5kV rms / 50Hz for 1 minute	
Accuracy - Dynamic performance		
Zero Offset (23°C)	$\pm 20mV$ max	
Zero Offset Drift	$\pm 0.07\%$ of I_N per °C	
Gain Variation	$\pm 0.05\%$ of the reading per °C	
Averaging Time Constant	100 milliseconds	
Crest Factor	6 for stated accuracy	
Frequency Range	DC and 15Hz to 25kHz (small signal) Core heating produced when $I_{rms} \times f > 400,000$	
General Data		
Operating Temperature	0°C to + 70°C	
Storage Temperature	- 10°C to + 85°C	
Current Consumption	15mA	35mA
Output Burden	-	430Ω
External Load	1 mA max	-
Case	ABS self extinguishing plastic	
Weight	160g	
Dimensions	see overleaf	

Issue 2
ATS 19/4/94

LEM HEME LIMITED



1 PENKETH PLACE
WEST PIMBO, SKELMERSDALE
LANCASHIRE WN8 9QX, UNITED KINGDOM

Registered in England
Company Number 1378145
Registered Office: Penketh Place, Skelmersdale



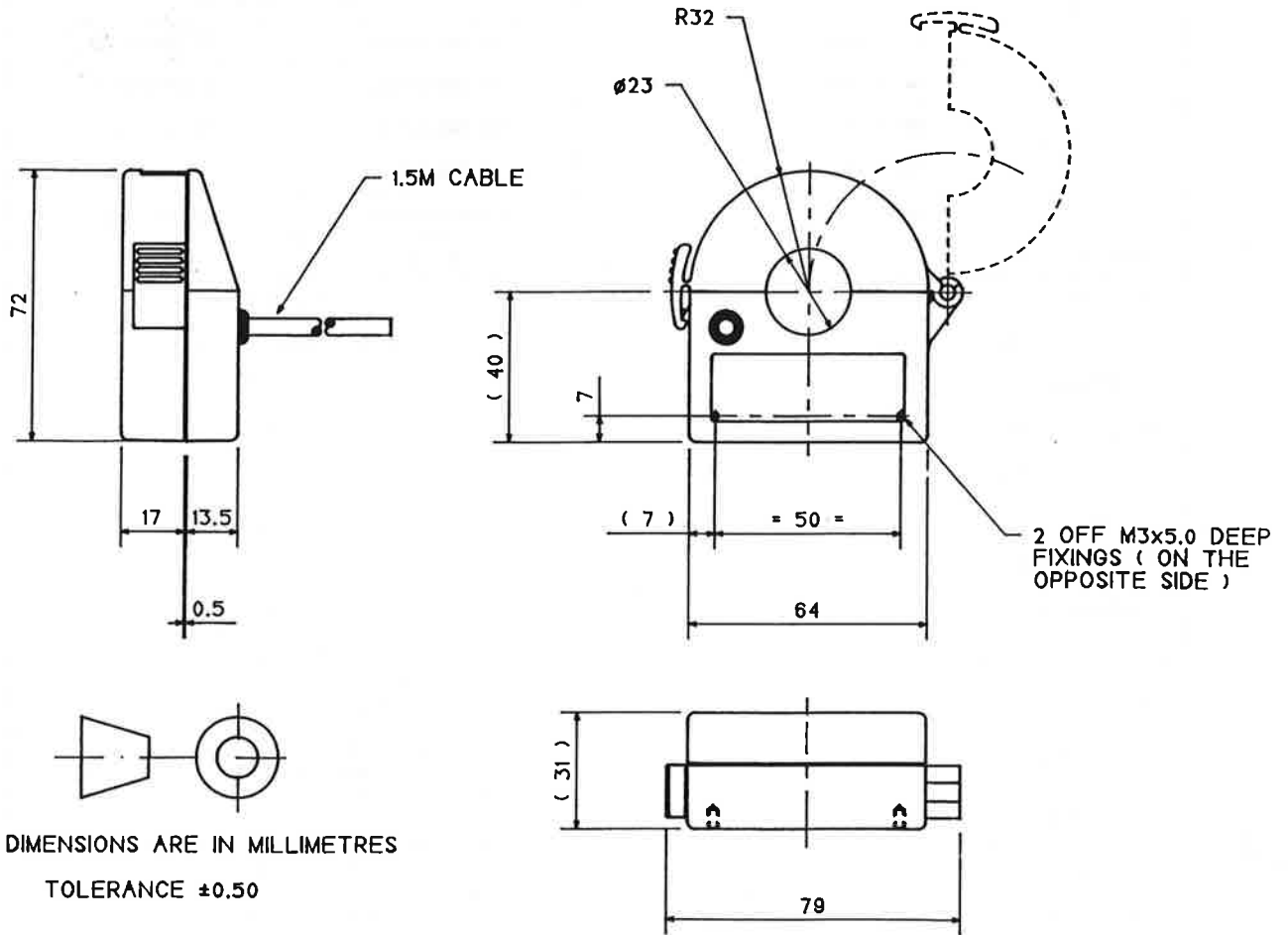
TEL: 01695 720535
FAX: 01695 50279
TELEX: 629792 HEME G

Current Output Modules

When using a LEM transducer with 4 to 20mA output, and generating a voltage by insertion of a load resistor, the developed voltage will be floating with respect to module zero volts and must not have a grounded output terminal.

Dimensions:

HT *** SRUD/SRID



Electrical Connections

via 4 core screened PVC cable 1.5m long

WIRE COLOUR	TYPE SRUD	TYPE SRID
GREEN	0V	-ve LOAD
RED	+15V	+15V
BLUE	-15V	-15V
WHITE	+out	+ve LOAD
SCREEN	not internally connected	0V