

# Fast acting, high speed performance in smallest package size on the market



The PSX series high-speed fuses deliver extremely fast-acting performance up to 1500 V dc. Available in flush-end, DIN-mount, and bolted-blade styles, they are the smallest NH XL package size on the market and range from 80 A to 1400 A. The PSX series is extremely fast-acting with high DC interrupting ratings. Visual blown fuse indication is standard on all fuses and an optional micro-switch is available for external indication.

## The PSX series of fuses are ideal for these applications:

- Battery energy storage systems
- Photovoltaic inverters
- Dc common bus systems
- Large industrial regenerative drives
- Rectifiers
- Metal processing equipment

PSX series are certified to UL248-13 and designed to meet IEC 60269-4 high-speed semiconductor fuse standard and IEC 60269-7, a new battery protection fuse standard in development.

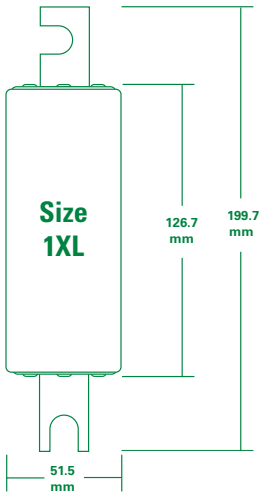
## Competitive Comparison

LITTELFUSE	COMPETITOR
PSX	170M (size 4), PSC_9X, 90-445, 90-447

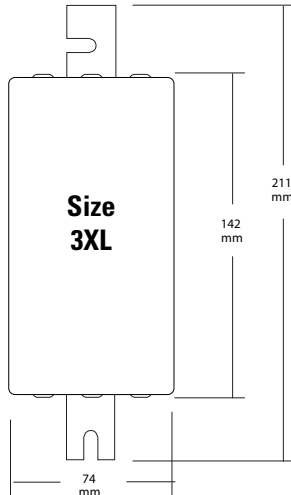




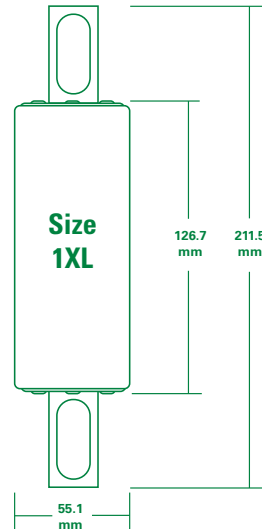
**PSX Series DIN Blade**  
80 A to 630 A



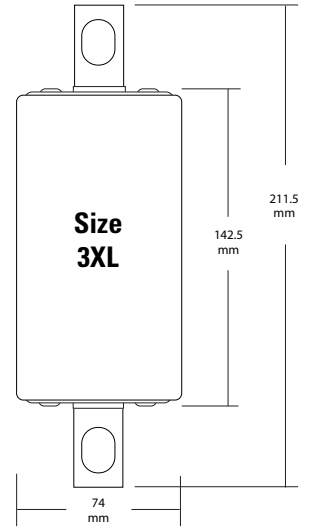
**Competitor 3**  
100 A to 450 A



**PSX Series Bolted Blade**  
80 A to 630 A



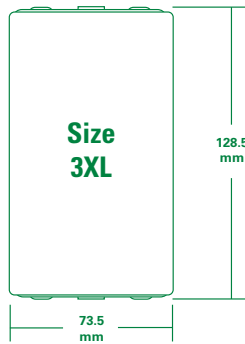
**Competitor 2**  
200 A to 750 A



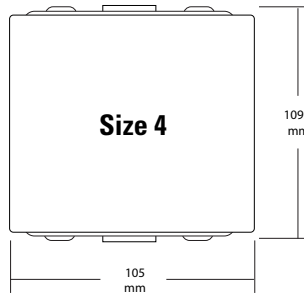
**Smaller Case Size, Similar Current Rating**

**Comparable Current Rating in a Smaller Case Size**

**PSX Series Flush Mount**  
700 A to 1400 A, 1500 V dc



**Competitor 1**  
800 A to 2500 A, 1200 V dc



**20 % Higher Voltage in a Smaller Case Size**

FEATURES	BENEFITS
Low watt loss	Prevents energy loss, more efficient, minimizes wasted power from components
Compact size	Facilitates design of smaller or more compact high energy density systems
Visual indication is standard	Easily detectable in the event of a fault
High dc voltage rating to 1500 V dc	Protection for highest rated dc battery energy storage systems in the market
Dc breaking capacity up to 100 kA at 1500 V dc	Facilitates design of long duration battery energy storage systems
Three terminations	Allows more versatility with mounting configurations
Low minimum breaking capacity	Offers protection for lower levels of fault current

**Disclaimer Notice** – Information furnished is believed to be accurate and reliable. However, users should independently evaluate the suitability of and test each product selected for their own applications. Littelfuse products are not designed for, and may not be used in, all applications. Read complete Disclaimer Notice at [www.littelfuse.com/product-disclaimer](http://www.littelfuse.com/product-disclaimer).